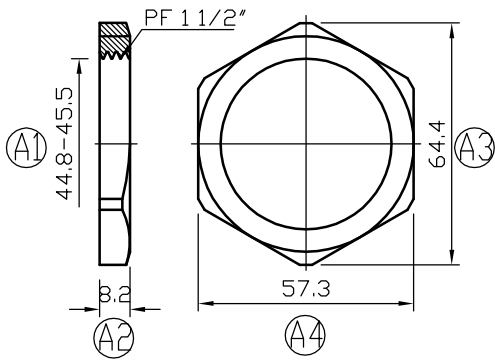
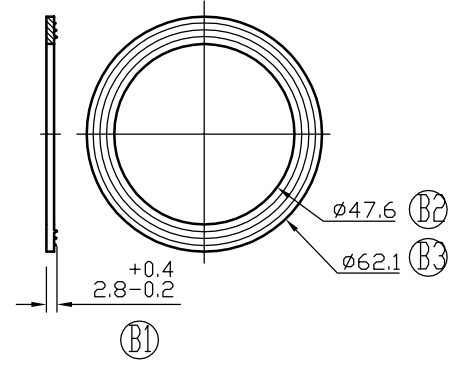


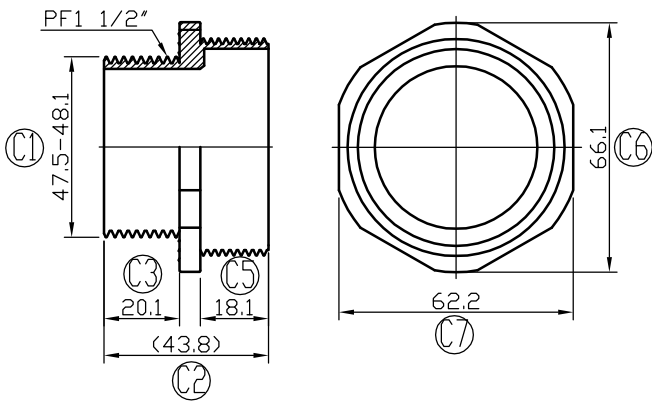
(A)



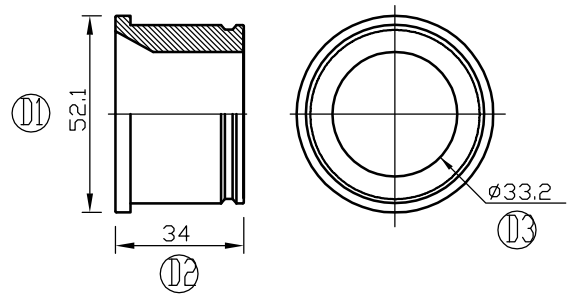
(B)



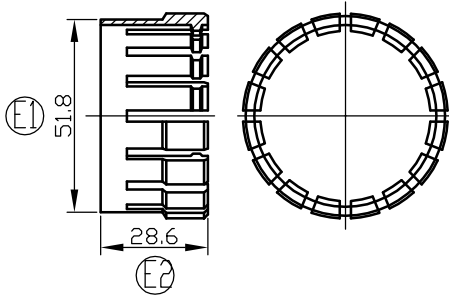
(C)



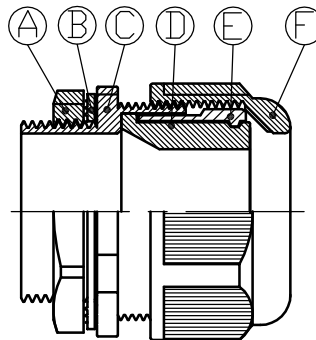
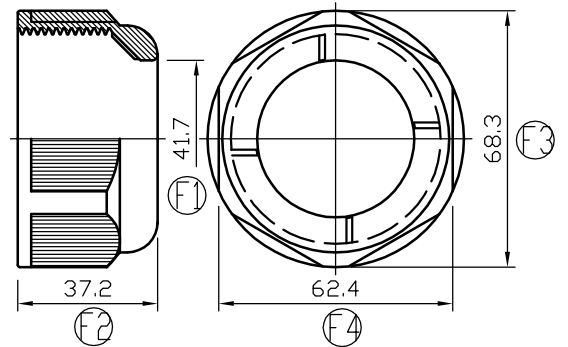
(D)



(E)



(F)



REV:	DESCRIPTION	DATE
△	Because the inventory produced by the old mold still exists, continue to use the old mold. 因舊模所生產的庫存還存在，繼續使用舊模具，新模暫不生產	2021/05
AVC 全冠企業有限公司 AVC Industrial Corp.		
PRODUCT: NYLON CABLE GLANDS		
PART NO.: FGA48-32B		
SCALE: 1:1	UNIT: mm	REV. 7 F3A

INSPECTED BY	PEACA	2021. 07. 21
DRAWN BY	JESSIE	2021. 07. 21
MATERIAL	B, D PART: BLACK UL EPDM A, C, E, F PART: BLACK PA66 UL94V-2	

Confidential 機密文件 非授權 請勿外流	
Cable Range	27.8 - 32.8 mm
Working Temp.	-40°C to 105°C (-40°F to 221°F)
IP Ratings	IP68 - 5bar
Panel Mounting Hole	48.3 - 48.5 mm
TOLERANCE:	PATENTED
6 ±0.2	18.1~30±0.5
6.1~9±0.3	30.1~50±0.6
9.1~18±0.4	50.1~80±0.8
REMARK:	
All rights reserved	
() Inside reference value	

IP68

RoHS