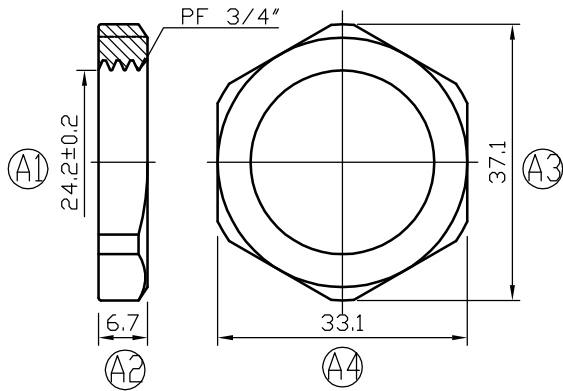
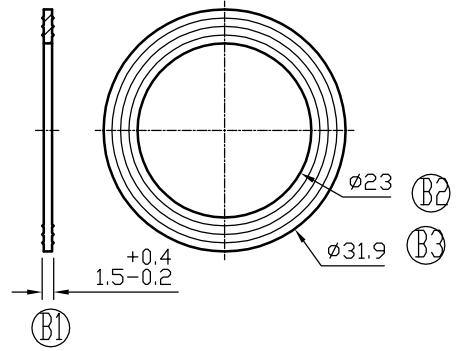


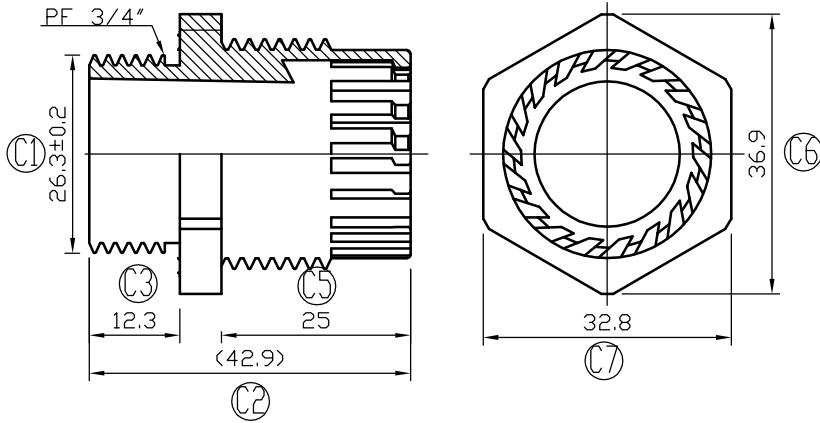
△ (A)



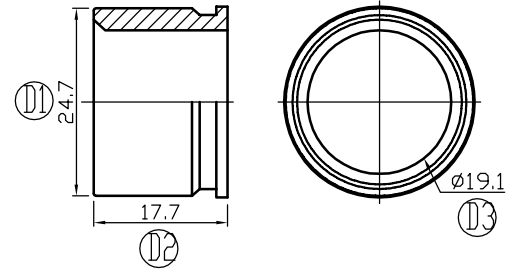
(B)



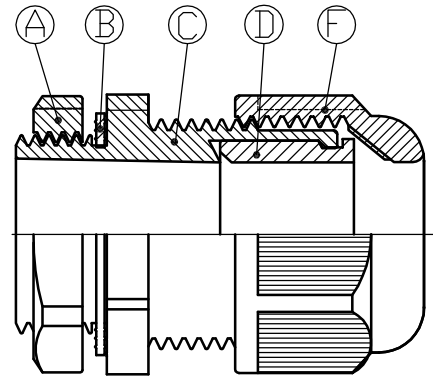
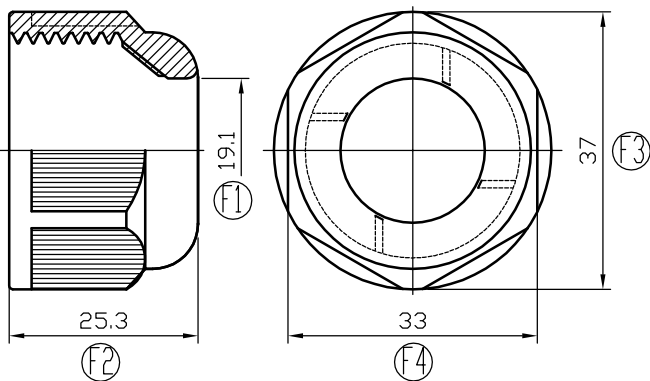
(C)



(D)



△ (F)



Confidential 機密文件 非授權 請勿外流

Cable Range	13.3 - 18.8 mm
Working Temp.	-40°C to 105°C (-40°F to 221°F)
IP Ratings	IP68 - 10bar
Panel Mounting Hole	26.9 - 27.1 mm
AVC Test No.	TA128-108-0324
UL File No.	E210562

REV:	DESCRIPTION	DATE
△	The end of the life cycle of the mold, the mold updates 模具壽命周期更新	2019/06

AVC Industrial Corp.

INSPECTED BY	PEACA	2019. 07. 09
DRAWN BY	JESSIE	2019. 07. 09

PRODUCT: NYLON CABLE GLANDS		
PART NO.: FGB26-18B		
SCALE: 1:1	UNIT: mm	REV. 7.1

MATERIAL	B, D PART: BLACK UL EPDM A, C, F PART: BLACK PA66 UL94V-2
----------	--

TOLERANCE:	6 ±0.2	18.1~30±0.5	PATENTED <b>IP68</b>
	6.1~9±0.3	30.1~50±0.6	
	9.1~18±0.4	50.1~80±0.8	
REMARK:	All rights reserved ( ) Inside reference value		<b>RoHS</b>