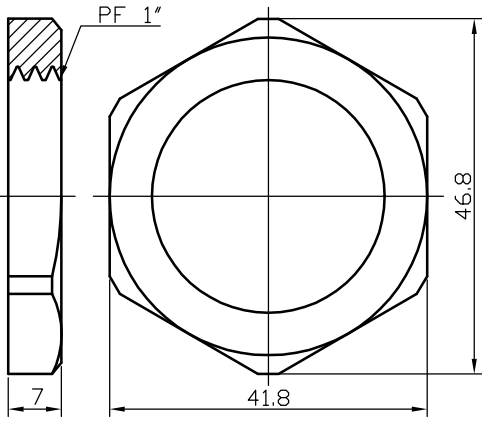
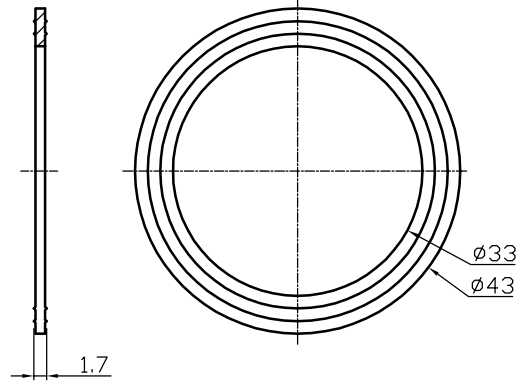


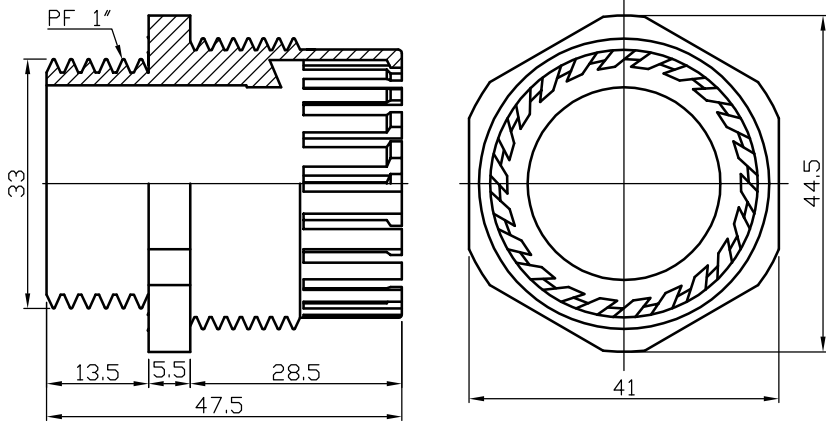
(A)



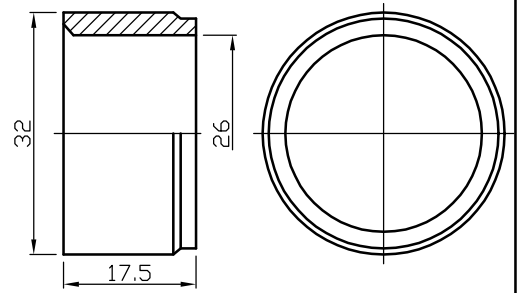
(B)



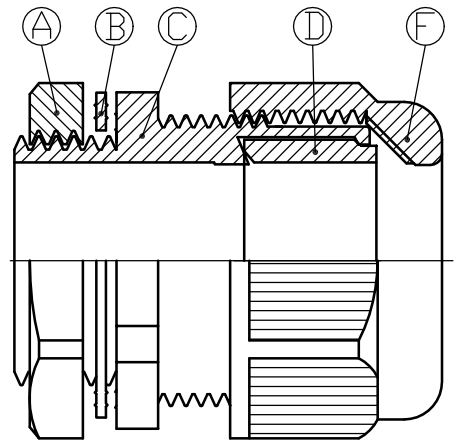
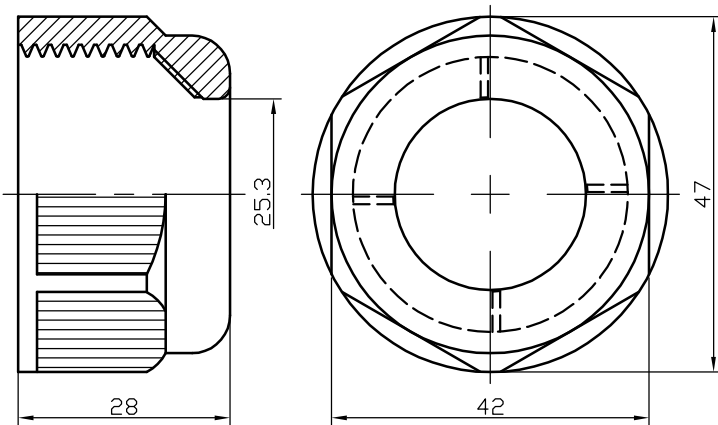
(C)



(D)



(F)



Cable Range : 25 - 18 mm

Working Temp. : -40°C to 105°C (-40°F to 221°F).

PATENTED

AVC 全冠企業有限公司
AVC Industrial Corp.

INSPECTED BY YAWEN 2009.08.31

DRAWN BY LING GHIU 2009.08.31

UL FILE NO. E210562

MATERIAL

B, D PART: EPDM
A, C, F PART: PA66 UL94V-2

TOLERANCE:

6 ± 0.2 18-30 ± 0.5

6-9 ± 0.3 30-50 ± 0.6

9-18 ± 0.4 50-80 ± 0.8

IP68
INDEX OF DUST &
LIQUID PROTECTION

PRODUCT: NYLON CABLE GLANDS

PART NO.: FGB33-25

SCALE: 1:1

UNIT: MM

REV. 7.0

REMARK:

All rights reserved

() Inside reference value

RoHS
Compliant