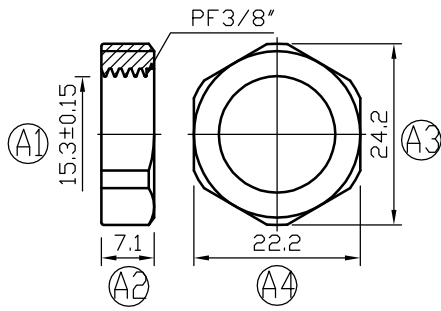
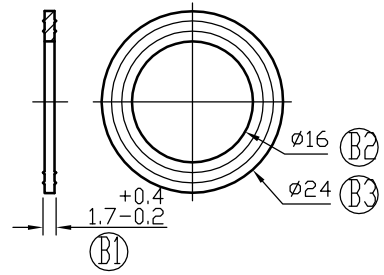


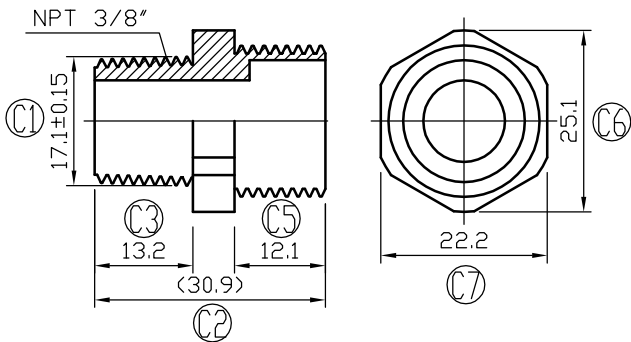
△ (A)



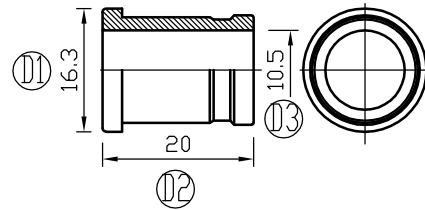
(B)



(C)

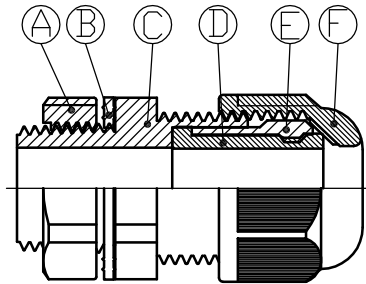
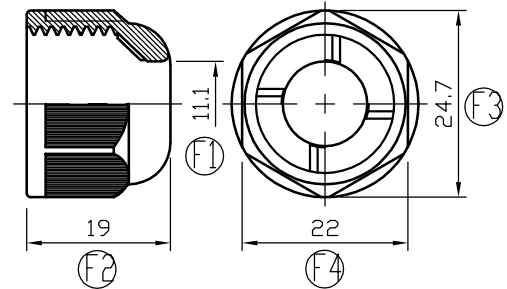
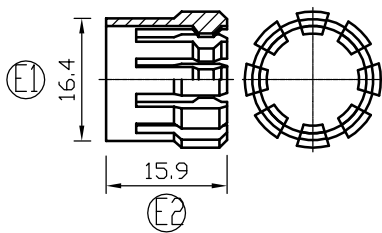


(D)



(F)

(E)



Confidential 機密文件 非授權 請勿外流

Cable Range (for Sealing)	7.1 - 10.0 mm
Cable Range (for Anti-Pull)	8.9 - 10.0 mm
Working Temp.	-40°C to 105°C (-40°F to 221°F)
IP Ratings	IP68 - 10bar
Panel Mounting Hole	17.5 - 17.7 mm
UL File No.	E210562

REV:	DESCRIPTION	DATE
△	The end of the life cycle of the mold, the mold updates 模具壽命周期更新	2020/01
AVC 全冠企業有限公司 AVC Industrial Corp.		
PRODUCT: NYLON CABLE GLANDS		
PART NO.: NPA17-10G+A		
SCALE: 1:1	UNIT: mm	REV. 5.1

INSPECTED BY	PEACA	2020.02.12
DRAWN BY	JESSIE	2020.02.12
MATERIAL	B, D PART: BLACK UL EPDM A, C, E, F PART: BLACK PA66 UL94V-2	

TOLERANCE:	PATENTED
6 ± 0.2	18.1~30±0.5
6.1~9±0.3	30.1~50±0.6
9.1~18±0.4	50.1~80±0.8
REMARK:	
All rights reserved	
() Inside reference value	

IP68

RoHS