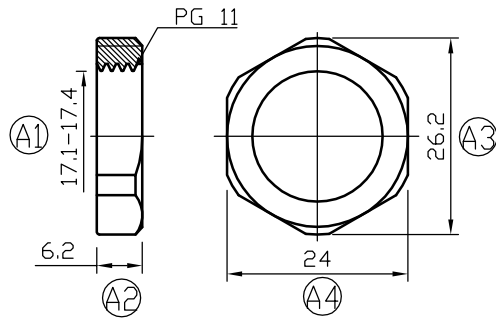
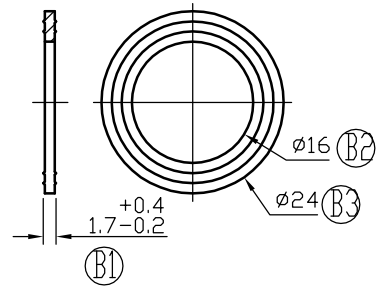


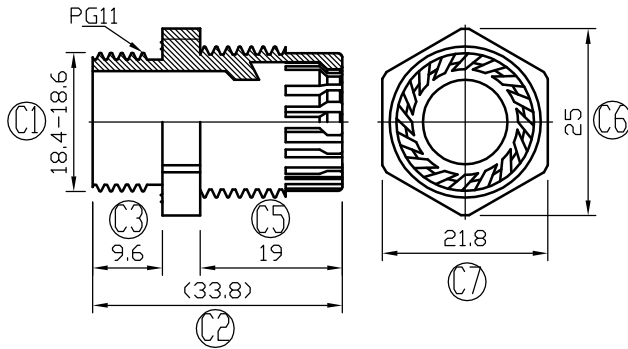
△(A)



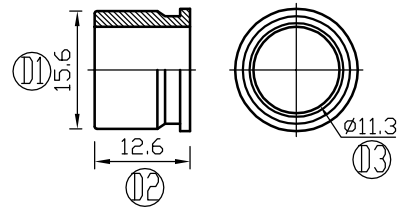
ⓑ



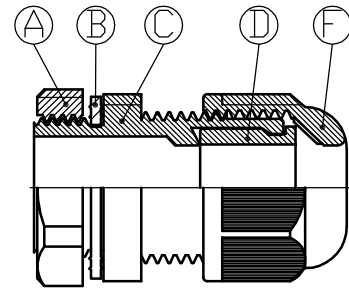
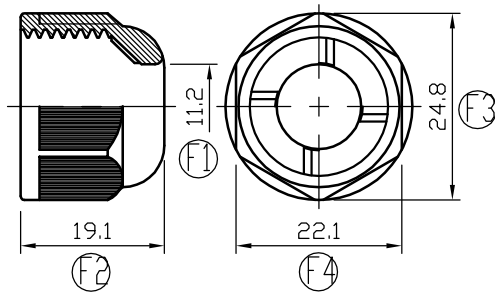
ⓒ



△(D)



△(F)



Confidential 機密文件 非授權 請勿外流

REV:	DESCRIPTION	DATE
△	The end of the life cycle of the mold, the mold updates 模具壽命周期更新	2021/03
△	The end of the life cycle of the mold, the mold updates 模具壽命周期更新	2020/12
△	The mold has been repaired and replaced with new parts 模具維護&更換新零件	2020/11
AVC 全冠企業有限公司 AVC Industrial Corp.		
PRODUCT: NYLON CABLE GLANDS		
PART NO.: PGB11-10B		
SCALE: 1:1	UNIT: mm	REV. 8.2 F3A

INSPECTED BY	PEACA	2021. 05. 10
DRAWN BY	JESSIE	2021. 05. 10
MATERIAL	B, D PART: BLACK UL EPDM A, C, F PART: BLACK PA66 UL94V-2	

Cable Range (for Sealing)	6.8 - 11.1 mm
Cable Range (for Anti-Pull)	9.7 - 11.1 mm
Working Temp.	-40°C to 105°C (-40°F to 221°F)
IP Ratings	IP68 - 10bar
Panel Mounting Hole	19 - 19.2 mm
AVC Test No.	TA128-110-0053
UL File No.	E210562
TOLERANCE:	PATENTED
6 ± 0.2	18.1~30±0.5
6.1~9±0.3	30.1~50±0.6
9.1~18±0.4	50.1~80±0.8
REMARK:	
All rights reserved	
() Inside reference value	

IP68

RoHS