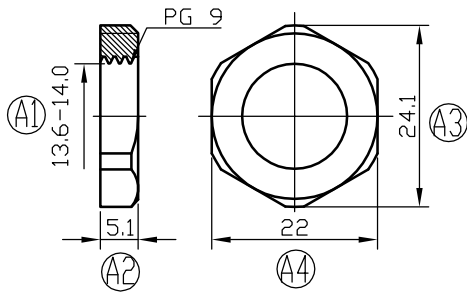
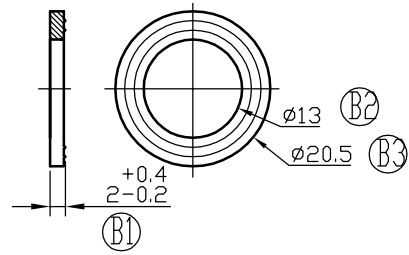


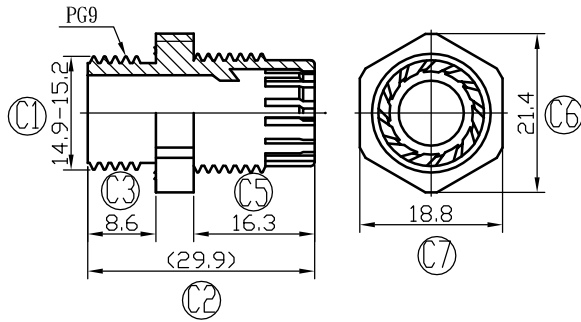
△ (A)



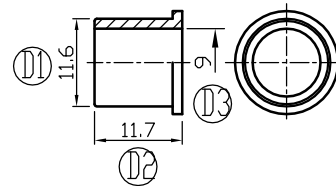
(B)



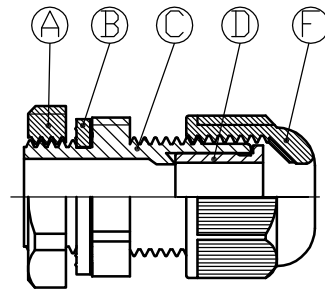
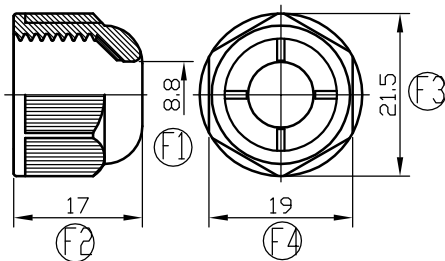
(C)



(D)



△ (F)



Confidential 機密文件 非授權 請勿外流

REV:	DESCRIPTION	DATE
△	The mold has been repaired and replaced with new parts 模具維護&更換新零件	2020/11
△	The end of the life cycle of the mold, the mold updates 模具壽命周期更新	2018/12
AVC 全冠企業有限公司 AVC Industrial Corp.		
PRODUCT: NYLON CABLE GLANDS		
PART NO. : PGB9-09B		
SCALE: 1:1	UNIT: mm	REV. 11.1 F3A

INSPECTED BY	PEACA	2020. 12. 24
DRAWN BY	JESSIE	2020. 12. 24
MATERIAL	B, D PART: BLACK UL EPDM A, C, F PART: BLACK PA66 UL94V-2	

Cable Range (for Sealing)	5.4 - 8.5 mm
Cable Range (for Anti-Pull)	7.7 - 8.5 mm
Working Temp.	-40°C to 105°C (-40°F to 221°F)
IP Ratings	IP68 - 10bar
Panel Mounting Hole	15.5 - 15.7 mm
UL File No.	E210562
TOLERANCE:	6 ±0.2 18.1~30±0.5 6.1~9±0.3 30.1~50±0.6 9.1~18±0.4 50.1~80±0.8
REMARK:	All rights reserved () Inside reference value

PATENTED
IP68
RoHS